



November, 2008

## Partner Product Announcement

Philips Speech Processing  
USA

**USB Hand control LFH 2305**  
for professional desktop foot pedal control



## Table of Contents

Table of Contents	2
Target group	4
Background	4
Product highlights	5
Product Design / Functionality	5
Product Pricing	7
Product Availability	7
Technical Data	7
Documentation	7
MARCOM Material	7
Packing Contents	8

*Dear Philips Speech Processing Partner,*

This is the [Release Announcement](#) for the **USB Hand control 2305** as input for your introduction planning activities.

The USB Hand control is the perfect complement to easily control transcription applications when a foot control can't be used. It delivers ergonomic design for professional usability and comfort.

Please deploy this information to all relevant persons in your organization.

*Best regards,*

*The Philips Speech Processing Team*

## Target group

Developed and designed for people who need to control PC-based transcription systems

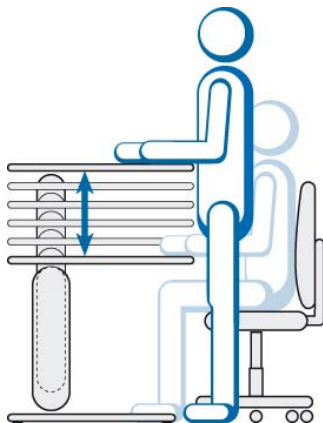
- When a foot control can't be used, or
- For those who are willing to follow the new trend toward healthier, dynamic working environments recommended by occupational physicians.

## Background

It has been scientifically proven that health is at risk if a person sits the entire day. Back pain is one of the most common complaints of those who are stationary, a result of neglecting the back muscles and constant incorrect posture at work.

“Physical change at work can prevent it”

Occupational physicians recommend that work behavior be split into 60% work while sitting, 30% while standing and 10% walking. This requires a flexible design of the office furniture such as height-adjustable, sit-work tables which are used more and more in modern offices.



As a result, to support the new dynamic work behavior using sit-work tables, Philips developed the new hand control for PC transcription as a more comfortable foot control alternative in that environment.

## Product highlights

### 50 years of experience

Philips Speech Processing has designed professional dictation systems for more than 50 years. Based on this experience, and responding to customer's requirements, Philips created a groundbreaking "hand control" tailor-made for "professional transcription control."

Following product key highlights are included

#### User friendly

- Control buttons can be accessed easily by the user's thumb – using it similar to the keyboard space bar.
- Fast and easy set-up for hassle-free installation.

#### Simply smart

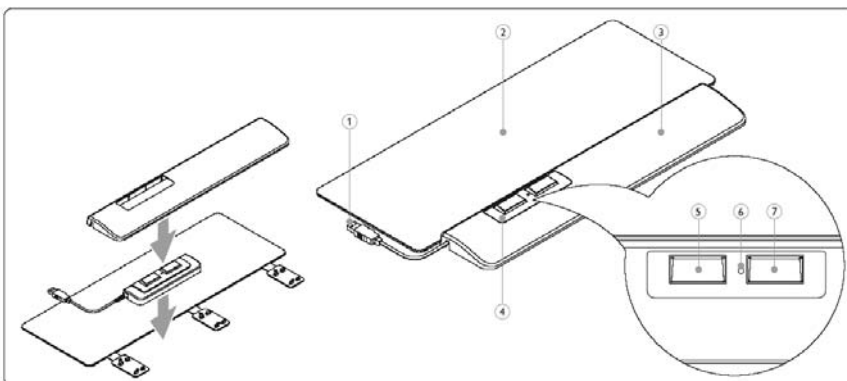
- Just unplug a Philips USB foot control, plug in the new hand control, and you are ready to transcribe.

#### Adaptive for your comfort

- Can be used with or without wrist rest or attached to your keyboard.
- Anti-slip pads keep the hand control in the right place.

## Product Design / Functionality

### Product overview

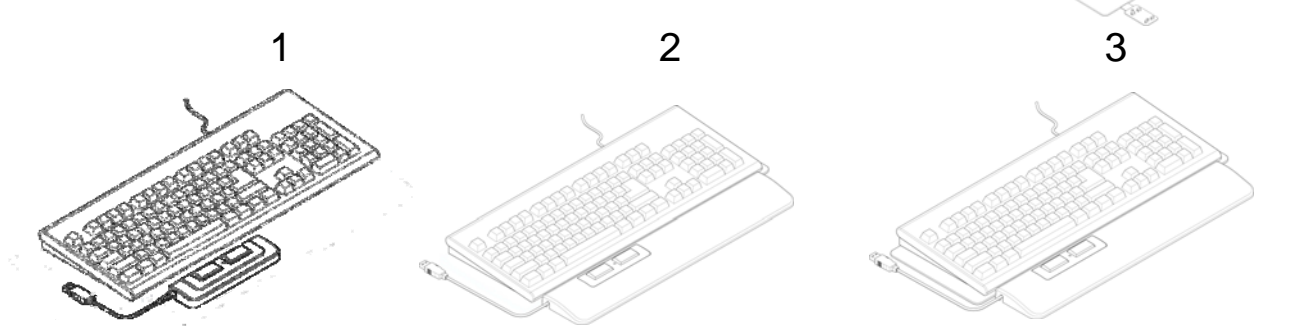


- |   |               |
|---|---------------|
| 1 | USB plug      |
| 2 | Anti-slip pad |
| 3 | Wrist rest    |
| 4 | Control unit  |

- 5 Fast rewind / fast forward
- 6 Status LED
- 7 Start / stop playback

### Configurable to individual needs

The control unit can be placed in front of the keyboard right-centred to the keyboard space button (*figure 1*), in combination with the wrist rest (*figure 2*) or with a rubber mat attached to the hand rest (*figure 3*) on which the keyboard can be placed to connect the hand control and keyboard together.



### Easy to operate

- Press and release the right key to start continuous playback. The status LED glows green during playback. Press the right key again to stop playback.
- Press and hold the left key for fast rewind. When rewinding reaches the desired position, release the key.
- For fast forward, press and release the right key to start playback, then press and hold the left key. When forwarding reaches the desired position, release the left key.



### Easy to set up

Connect the hand control to a free USB port on the computer. Insert the installation CD into the CD-ROM drive. The set-up program starts automatically. Click the Install button. Follow the on-screen instructions of the set-up program to install the driver software on the computer.

**Note:** Administrator rights are required to install the software. If a Philips USB foot pedal is already used on the PC, just replace the foot pedal with the hand control. Other software installation is not necessary.

## Ready for integration

The USB Hand control can be integrated with the Philips Speech Processing hardware SDK.

**Note:** If the Philips USB foot control drivers are already integrated, no further actions are required.

## Product Pricing

Philips LFH Number	Description	SSP
LFH 2305/00	USB Hand control	\$149.00

## Product Availability

Availability	Date
Accepting Orders Now	Orders can be placed Now

## Technical data

Connectivity: USB  
 Dimensions: 480 x 252 x 22 mm / 18.9 x 9.9 x 0.9 in.  
 Weight: 597 g / 21 oz.  
 Color: Black

## Documentation

General Documentation	
User Manual printed	English   German   French   Spanish   Dutch   Swedish

## MARCOM Material

Material	When	Where
Specification Sheet	Mid Oct. '08	in English, French, German <a href="http://www.philips.com/dictation">www.philips.com/dictation</a> > Products > Accessories
Product Pictures	Mid Oct. '08	<a href="http://www.philips.com/dictation">www.philips.com/dictation</a> > Products > Accessories

## Package contents:

Pcs	Description
1x	Control unit
1x	Wrist rest
1x	Rubber mat
1x	HW driver CD
1x	Digital Professional Products Brochure
1x	Instruction for use in 6 languages (EN, GR, FR, ES, NL,SV)

Contact your Philips Account Manger for more information.